



Product availability: Non-Stock - Not normally stocked in distribution facility

Price*: 385.00 USD



Main

Range of product	Preventa Safety automation
Product or Component Type	Safe relay output module
Device short name	XPSMCM
Electrical Connection	Screw terminal

Complementary

Maximum power dissipation in W	3 W
Integrated connection type	Not connected to backplane expansion bus
Quality labels	CE
Quantity per Set	1
Switching time	12 ms
Minimum switching current	20 MA
Maximum switching current	6 A
Width	0.89 In (22.5 mm)
Height	3.90 In (99 mm)
Depth	4.51 In (114.5 mm)
Product Weight	0.66 Lb(US) (0.3 kg)

Environment

Standards	IEC 62061 EN/ISO 13849-1 EN/IEC 61800-5-1 EN/IEC 61508
Product Certifications	RCM CULus TÜV
Ambient Air Temperature for Operation	14...131 °F (-10...55 °C)
Ambient Air Temperature for Storage	-4...185 °F (-20...85 °C)
Pollution degree	2
Overvoltage category	II

Electrical durability	20000000 Cycles
Mechanical durability	20000000 Cycles
Service Life	20 Year(S)

Ordering and shipping details

Category	22477 - SAFETY MODULES (PREVENTA)
Discount Schedule	SAF2
GTIN	3606480748820
Nbr. of units in pkg.	1
Package weight(Lbs)	10.23 Oz (290 g)
Returnability	No
Country of origin	IT

Packing Units

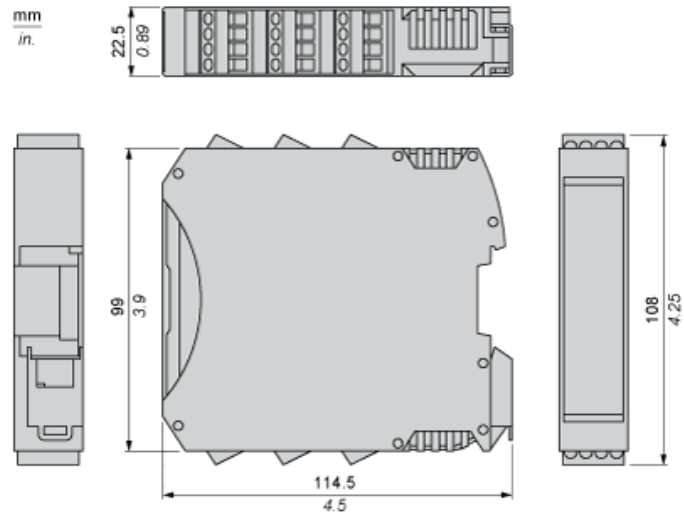
Unit Type of Package 1	PCE
Package 1 Height	1.81 In (4.6 cm)
Package 1 width	6.38 In (16.2 cm)
Package 1 Length	4.88 In (12.4 cm)
Unit Type of Package 2	S01
Number of Units in Package 2	6
Package 2 Weight	4.43 Lb(US) (2.01 kg)
Package 2 Height	5.91 In (15 cm)
Package 2 width	5.91 In (15 cm)
Package 2 Length	15.75 In (40 cm)

Offer Sustainability

Sustainable offer status	Green Premium product
California proposition 65	WARNING: This product can expose you to chemicals including: Lead and lead compounds, which is known to the State of California to cause cancer and birth defects or other reproductive harm. For more information go to www.P65Warnings.ca.gov
REACH Regulation	REACH Declaration
REACH free of SVHC	Yes
EU RoHS Directive	Pro-active compliance (Product out of EU RoHS legal scope) EU RoHS Declaration
Mercury free	Yes
RoHS exemption information	Yes
China RoHS Regulation	China RoHS Declaration
Environmental Disclosure	Product Environmental Profile
Circularity Profile	End Of Life Information
WEEE	The product must be disposed on European Union markets following specific waste collection and never end up in rubbish bins.
PVC free	Yes

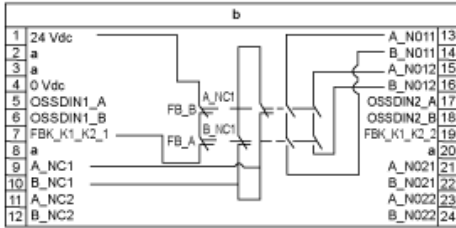
Dimensions

Screw Terminal



Wiring

Wiring Example



a : Not connected
b : Safe Relay output module

Product Life Status : **Commercialised**